



GOKCUOGLU CO. INC.

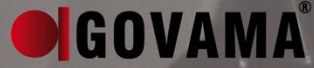
GLOBAL MEANING OF INNOVATION IN THREAD ROLLING





Heritage

GOKCUOGLU Co. INC. established by
Fahrettin - H. İbrahim Gökçüođlu, in **1975**, at a **55m²** facility.



Today...

Giving a service at a **3500 m²** facility, under the national **GOM** registered brand and international **GOVAMA** registered brand and took its' place in the thread rolling machines market.



Gökçüoğlu[®]
1975

For your success...



GOVAMA

Exporting of the production
to North America, UK, Germany, Poland, Spain and other Middle East countries.



Gökçüoğlu®
1975

For your success...





Modern Machine Park

High capacity and eligible of every kind of machining.

Supported by TUBITAK R&D



Awarded by "Aegean Region Chamber of Industry
R&D- High Investment - 30th Year" prize.



Gökçüoğlu®
1975

For your success...



GOVAMA



Gökçüoğlu
1975

For your success...

OUR MACHINE PARK / CNC MACHINING



DOOSAN DB 130 CX



DOOSAN HM 630



DOOSAN DNM 500



TAKISAWA EX-122



DAEWOO MYNX 550



TAKSAN TMC-700V



DANOBAT RT 1600



OMICRON 1500E

- * 2 Conventional milling machine
- * 2 Conventional turning machine
- * 1 Conventional shaper machine





WELDING

We build our chassis with our experienced and professional welding team according to R&D design.



Gökçüoğlu
1975

For your success...

ASSEMBLING

All assembling operations are completed by our expert assembly team before final control of the machine.





PAINTING

Painting operations are realized in house by our painting team as well.
We can apply any color with RAL code definition according to customer request.



3R-21 Three Die
Thread
Rolling Machines



KZ-25 Two Die
Thread
Rolling Machines



HK-40 Two Die
Thread
Rolling Machine



Gökçüoğlu
1975

For your success...



GOVAMA®

QUALITY CONTROL

* We are currently checking our machines up to 100 predefined points in final quality control procedure.

*Following technological equipments are also available in our quality laboratory for in process control and incoming goods inspection.



Faro Gage
3D Measurement Device



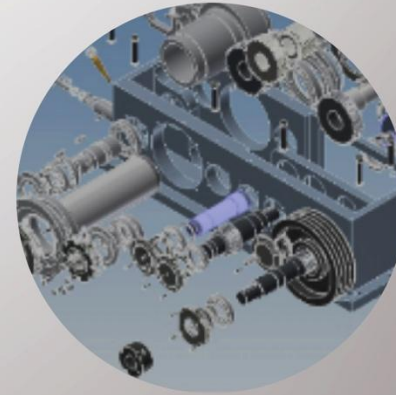
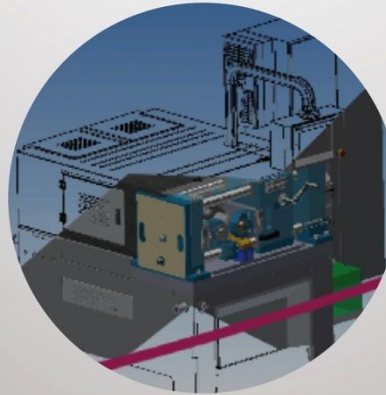
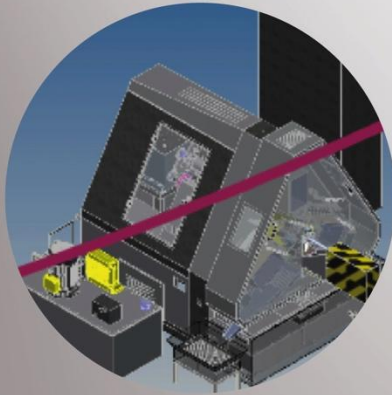
Mitutoyo Digital Height Gage



Gökçüoğlu®
1975

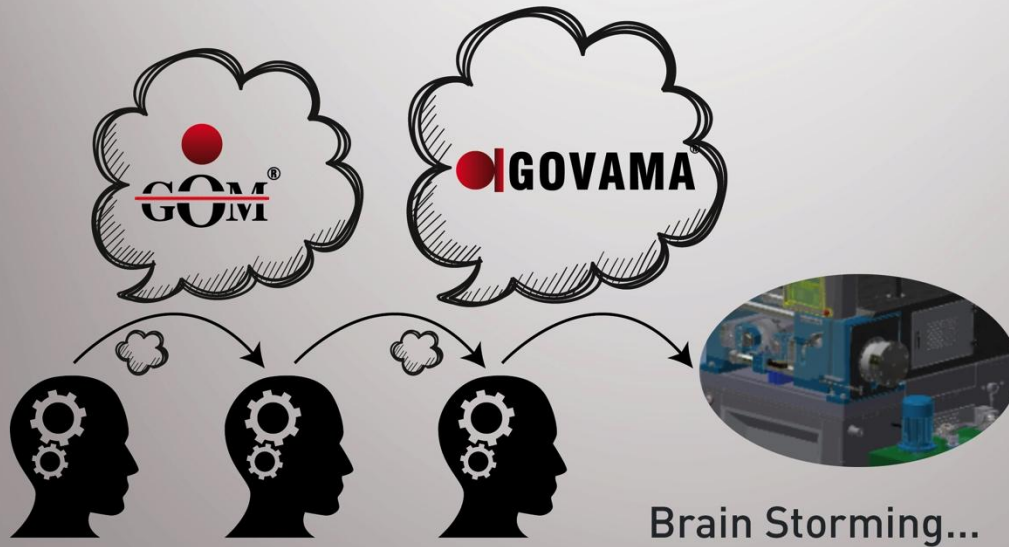
For your success...

R&D CAPABILITIES COMPUTER AIDED DESIGN (CAD)



R&D CAPABILITIES

REAL R&D UNIQUE PROJECT CREATION

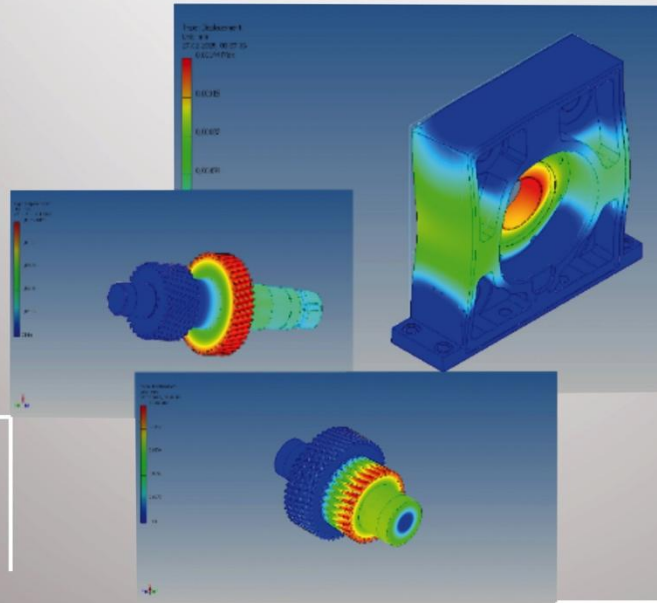




GOVAMA®

R&D CAPABILITIES

COMPUTER AIDED ENGINEERING (CAE)

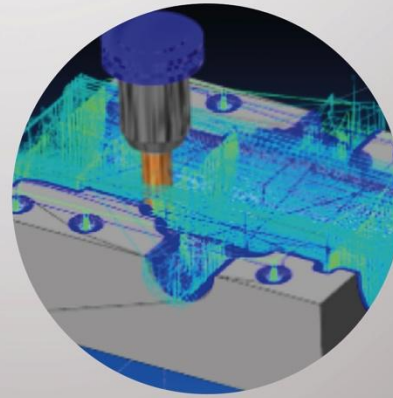
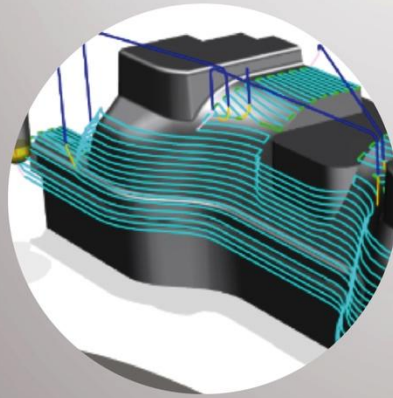


Gökçüoğlu®
1975

For your success...



R&D CAPABILITIES COMPUTER AIDED MANUFACTURING (CAM)



Gökçüoğlu
1975

For your success...

CERTIFICATE No. : 01069/IN-IST-12
IS1250-0572/AGC/AKC

**EC-ATTESTATION CERTIFICATE
OF MACHINE SAFETY**

Date/Place of Issue : 30.07.2012 / ISTANBUL

Name of Applicant : GOKÇUOĞLU OTOMOTIV MAKINA IMALAT SANAYI VE TICARET A.Ş.

Address of Applicant : ESTİM SANAYİ SİTESİ METAL İŞLERİ 3. CADDE NO: 86 İZMİR - TURKEY

Name of Manufacturer : GOKÇUOĞLU OTOMOTIV MAKINA IMALAT SANAYI VE TICARET A.Ş.

Address of Manufacturer : ESTİM SANAYİ SİTESİ METAL İŞLERİ 3. CADDE NO: 86 İZMİR - TURKEY

Description of Product : THREAD ROLLING MACHINE

Model(s) : # HK-3, HK-10, HK-16, HK-18, HK-20, HK-25, HK-40, HK-60, HK-85 #

Assessment Performed : CONFORMITY TO ANNEX I'S APPLICABLE PARAGRAPHS OF 2006/42/EC MACHINERY DIRECTIVE

Standard(s) : # EN ISO 12100:2010, EN 80204-1:2006/AC:2010.#

Conditions Subject to Issue : ACCEPTANCE OF INFORMATION DETAILED IN TECHNICAL FILE TCF-120720-178 AND REFERENCED AGAINST JOB FILE IS1250-0572.

Declaration : IN THE OPINION OF SGS THE SUBMITTED TECHNICAL FILE TCF-120720-178 SATISFIES THE REQUIREMENTS OF THE MACHINERY DIRECTIVE 2006/42/EC ANNEX-VII.

Assessor ID No. : TR-IND-S14

Date/Place of Assessment : 13.06.2012 / İZMİR-TURKEY

Test reports in technical file TCF-120720-178 and referenced against job file IS1250-0572 are reviewed and found to be acceptable. The certificate is valid as long as the relevant directives and harmonised standards written above are current. The CE mark as shown below can be used, under the responsibility of the manufacturer, after completion of an EC Declaration of Conformity and compliance with all relevant EC Directives.

This EC-Attestation Certificate is only valid for the equipment and configuration described in conjunction with the data detailed above. It refers only to the samples submitted to SGS Supervise Gözetme Etid Kontrol Servisleri A.Ş. for testing and certification. Any modifications made to the product shall immediately be reported to SGS Supervise Gözetme Etid Kontrol Servisleri A.Ş. office in order to examine whether the certificate remains valid. This certificate shall not be reproduced or used in full without the written approval of SGS Supervise Gözetme Etid Kontrol Servisleri A.Ş.

SGS Supervise Gözetme Etid Kontrol Servisleri A.Ş.
Abide-i Hürriyet Cad. Gaççi Sokak
NO:4 K-1-2-3-4 34381 Şişli İstanbul-TURKEY
t: 90 212 3684000 (Pbx)
f: 90 212 2964782-43
e: sgs_turkey@sgs.com

S-IND-F-32/ Rev:4

This document is issued, on the Client's behalf, by the Company under its General Conditions of Service printed elsewhere. The Client's attention is drawn to the limitation of liability, indemnification and jurisdiction clauses defined therein.

Any other holder of this document is advised that information contained herein reflects the Company's findings at the time of its intervention only and within the limits of Client's instructions. If any, The Company's sole responsibility is to its Client and this document does not constitute evidence in a transaction from exceeding all their rights and obligations under the transaction documents.

SGSPAPER 12863345

**РОССИЙСКАЯ ФЕДЕРАЦИЯ
СЕРТИФИКАТ СООТВЕТСТВИЯ**
(обязательный сертификат)

№ С-TR.AT98.B.04693 TP **1459927**
(номер сертификата соответствия) (учетный номер банка)

ЗАЯВИТЕЛЬ "Gokcuoglu Otomotiv Makine Imalat San. Ve Tic. A.S."
(наименование и место нахождения заявителя) Адрес: Estim Sanayi Sitesi Metal isleri 3. Cadde No: 86 Izmir / Turkey, Турция.
Телефон +90 232 257 53 46, факс +90 232 257 52 54.

ИЗГОТОВИТЕЛЬ "Gokcuoglu Otomotiv Makine Imalat San. Ve Tic. A.S."
(наименование и место нахождения изготовителя) Адрес: Estim Sanayi Sitesi Metal isleri 3. Cadde No: 86 Izmir / Turkey, Турция.
Телефон +90 232 257 53 46, факс +90 232 257 52 54.

ОРГАН ПО СЕРТИФИКАЦИИ (наименование и место нахождения органа по сертификации) ООО "ЮРресурс", 117342, г. Москва, ул. Введенского, д. 23А, (информация о метрологическом статусе органа по сертификации) стр. 3, тел. 8 985 766 92 24, E-mail info@ag-resurs.ru. ОГРН: 1112315011984.
Лицензия (номер, наименование государственного органа, выданная) Федеральным агентством по техническому регулированию и метрологии.
Аттестат рег. № РОСС RU.0001.11A198 выдан 28.10.2011г.

ПОДТВЕРЖДАЕТ, ЧТО Резонансные станки, модели НК 3, НК 10, НК 15, НК 18, НК 20, НК 25, НК 40, НК 60, НК 85, 3R 3, 3R ПРОДУКЦИЯ (наименование и место нахождения заявителя) 3, 3R 15, 3R 21, 3R 45, 3R 60.
серийных из числа изготовленных, объектов.
Серийный выпуск.

код ОК 005 (ОКП) 38 1100

СООТВЕТСТВУЕТ ТРЕБОВАНИЯМ Технический регламент о безопасности ТЕХНИЧЕСКОГО РЕГЛАМЕНТА машин и оборудования (Постановление (ТЕХНИЧЕСКИХ РЕГЛАМЕНТОВ) Правительства РФ от 15.09.2009 N 753 с изменениями, утвержденными постановлением Правительства РФ от 24.03.2011 N 205)

код ЕКТС

код ТН ВЭД России 8463 20 00 0

ПРОВЕДЕННЫЕ ИССЛЕДОВАНИЯ протокол № 2513Ц.02/2013 от 13.02.2013 г. Испытательная (ИСПЫТАНИЯ) И ИЗМЕРЕНИЯ лаборатория ООО "ЮРресурс", рег. № РОСС RU.0001.21AB93 от 28.10.2011, адрес: Краснодарский край, г. Новороссийск, ул. Мира, д. 9, оф. 307

ПРЕДСТАВЛЕННЫЕ ДОКУМЕНТЫ
(перечисление, наименование документов в случае по сертификации в качестве доказательства соответствия продукции требованиям технического регламента технических регламентов)

СРОК ДЕЙСТВИЯ СЕРТИФИКАТА СООТВЕТСТВИЯ с 14.02.2013 по 13.02.2016

Руководитель (заместитель руководителя) органа по сертификации А.В. Чесноков
(подпись, наименование, должность)

Эксперт (эксперты) Р.А. Перепелкин
(подпись, наименование, должность)

It's aiming the best with quality products, service, after sales services, experienced personnel and continuous education.



Quality Policies & Certificates

GOKCUOGLU has the ISO 9001-2008, CE certificates.



URS
UNITED REGISTER OF STANDARDS
CERTIFICATION

Certificate of Registration

This certificate has been awarded to

GÖKÇÜOĞLU OTOMOTİV MAKİNA İMALAT SANAYİ VE TİCARET A.Ş.
Estim Sanayi Sitesi Metal İşleri 3.Cadde No:86 İZMİR, Turkey

in recognition of the organization's Quality Management System which complies with

ISO 9001:2008

The scope of activities covered by this certificate is defined below

Design, Manufacture, Sales and After Sales Services of Thread Rolling Machine, Sizing Machine, Multi Drilling Machine, All Kinds of Special Machines and Spare Parts

Certificate Number: 60473A/0001AUK/En	Date of Issue: (Original) 20 September 2013	Date of Issue: 20 September 2013
Issue No: 1	Expiry Date: 19 September 2016	

Issued by:  On behalf of the Schemes Manager






Page 1 of 1



SGS

CERTIFICATE No. : 0765IN-IST-13
IS1350-0635/AOO/AKC/601951

EC-ATTESTATION CERTIFICATE OF MACHINE SAFETY

Date/Place of Issue	: 25.11.2013 / ISTANBUL
Name of Applicant	: GÖKÇÜOĞLU OTOMOTİV MAKİNA İMALAT SANAYİ VE TİCARET A.Ş.
Address of Applicant	: ESTİM SANAYİ SİTESİ METAL İŞLERİ 3. CADDE NO: 86 İZMİR - TURKEY
Name of Manufacturer	: GÖKÇÜOĞLU OTOMOTİV MAKİNA İMALAT SANAYİ VE TİCARET A.Ş.
Address of Manufacturer	: ESTİM SANAYİ SİTESİ METAL İŞLERİ 3. CADDE NO: 86 İZMİR - TURKEY
Description of Product	: THREAD ROLLING MACHINE
Model(s)	: # 3R 3; 3R 9; 3R 15; 3R 21; 3R 30; 3R 45; 3R 60; 3R 75; 3R 90; 3R 120 #
Assessment Performed	: CONFORMITY TO ANNEX I'S APPLICABLE PARAGRAPHS OF 2006/42/EC MACHINERY DIRECTIVE.
Standard(s)	: # EN ISO 12100:2010; EN 60204-1:2006/AC:2010.#
Conditions Subject to Issue	: ACCEPTANCE OF INFORMATION DETAILED IN TECHNICAL FILE TCF-131119-150 AND REFERENCED AGAINST JOB FILE IS1350-0635.
Declaration	: IN THE OPINION OF SGS THE SUBMITTED TECHNICAL FILE TCF-131119-150 SATISFIES THE REQUIREMENTS OF THE MACHINERY DIRECTIVE 2006/42/EC ANNEX-VII.
Assessor ID No.	: TR-IND-S14
Date/Place of Assessment	: 25.09.2013 / İZMİR-TURKEY

Test reports in technical file TCF-131119-150 and referenced against job file IS1350-0635/01951 are reviewed and found to be acceptable. The certificate is valid as long as the relevant directives and harmonized standards written above are current. The CE mark as shown below can be used, under the responsibility of the manufacturer, after completion of an EC Declaration of Conformity and compliance with all relevant EC Directives.

CE

This EC-Attestation Certificate is only valid for the equipment and configuration described in conjunction with the data detailed above. It refers only to the sample submitted to SGS Supervise Gözetme Etüd Kontrol Servisi A.Ş. for testing and certification. Any modifications made to the product shall immediately be reported to SGS Supervise Gözetme Etüd Kontrol Servisi A.Ş. office in order to examine whether this certificate remains valid. This certificate shall not be reproduced except in full without the written approval of SGS Supervise Gözetme Etüd Kontrol Servisi A.Ş.

For and on behalf of
SGS Supervise Gözetme Etüd Kontrol Servisi A.Ş.

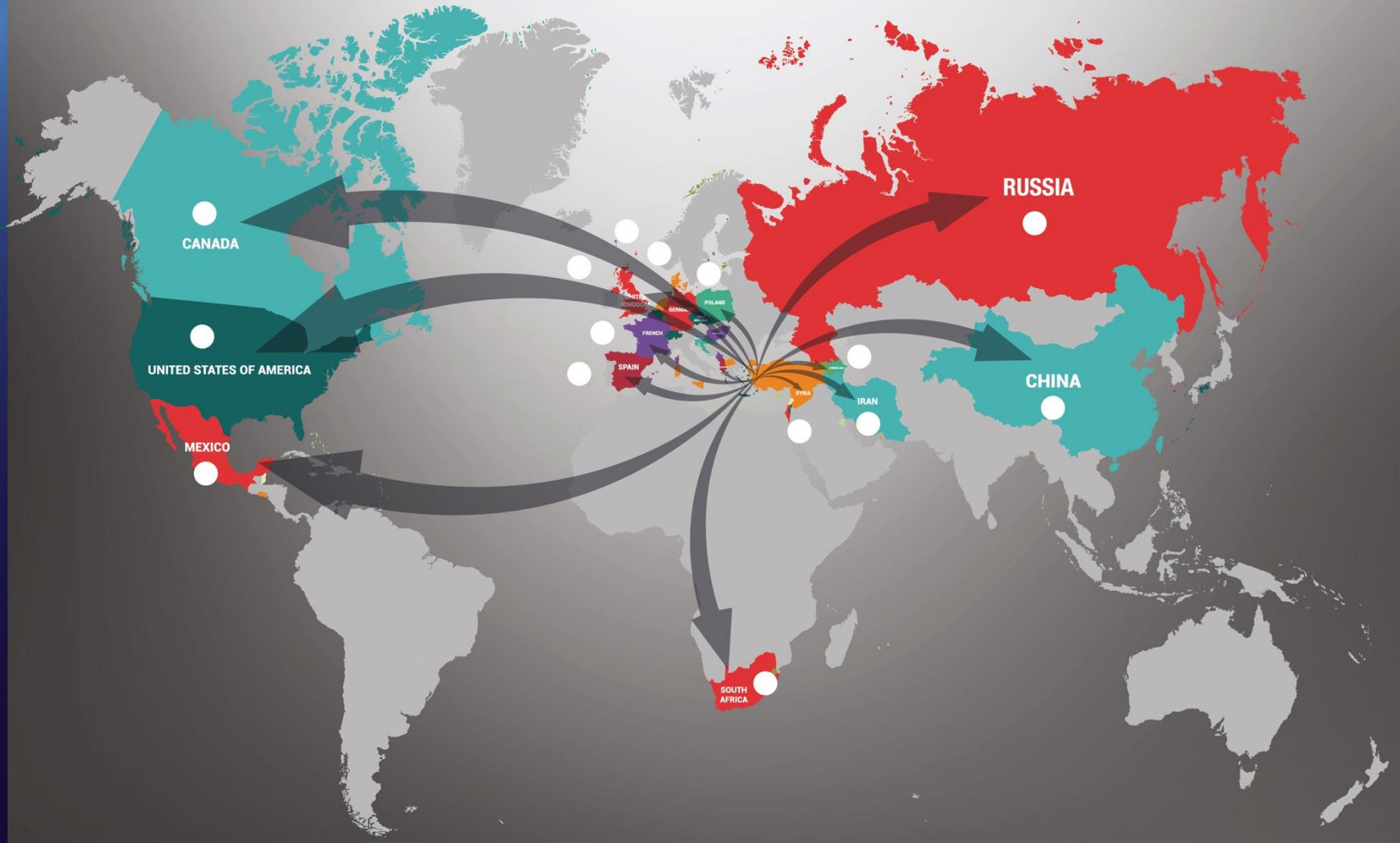
All Control
Page 1 of 1
Page 1 of 1

SGS
SGSPAPER
14081493

SGS Supervise Gözetme Etüd Kontrol Servisi A.Ş.
Balgılar Mah. Osmanpaşa Cad. No.95
İç İstanbul Plaza, A Blok
Güneşli 34209 İstanbul - Turkey
t: 90 212 3684000 (Pbx)
f: 90 212 3964782-43
e: sgs_turkey@sgs.com
S-IND-F-32J Rev:3

This document is issued, on the Client's behalf, by the Company under its General Conditions of Service printed elsewhere. The Client's attention is drawn to the limitation of liability, indemnification and jurisdiction clauses defined therein.

Any other holder of this document is advised that information contained herein reflects the Company's findings at the time of its intervention only and within the limits of Client's instructions. If any. The Company's sole responsibility is to its Client and this document does not ensue any parties to a transaction from exercising all their rights and obligations under the transaction documents.





GOING GLOBAL

The GOKCUOGLU corporation took its' part in global competition and continues to develop on every subject with R&D, investments, effective and productive quality systems.



Gökçüoğlu®
1975

For your success...



VISION

Developing differences at strategic principles for sustainable growth and obtaining competitive advantage, keeping and maintaining our values.



Gökçüoğlu[®]
1975

For your success...



MISSION

Without compromising our quality and environmental vision focusing on enhancements, being loyal to the trust of our long term partners and value to our country by having an active role on the development of the sector.



Gökçüoğlu[®]
1975

For your success...



WHAT WE DO?

We simply make great Cylindrical Thread Rolling Machines

- 2 Die Thread Rolling Machines
- 3 Die Thread Rolling Machines
- Special Machines



Gökçüoğlu®
1975

For your success...

Hk series-column type
2 DIE CYLINDRICAL THREAD ROLLING MACHINES



Rolling Force	3 to 120 tonnes
Pitch Size	0.5 mm to 14 mm
Workpiece Diameter	Ø3 to Ø250 mm

- Infeed Rolling
- Through-feed Rolling
- Ring roll



KZ series-wedge type
2 DIE CYLINDRICAL THREAD ROLLING MACHINES



Rolling Force	15 to 40 tonnes
Pitch Size	0.5 mm to 7 mm
Workpiece Diameter	Ø3- to Ø120 mm

- Infeed Rolling
- Through-feed Rolling
- Ring roll



3 DIE CYLINDRICAL THREAD ROLLING MACHINES



Rolling Force	3 to 60 Tons
Pitch Size For Pipes	1.75 mm to 10 mm
Pitch Size For Bars	1 mm to 6 mm
Workpiece Diameter	Ø8 to Ø210 mm

- Infeed Rolling
- Through-feed Rolling
- Ring roll





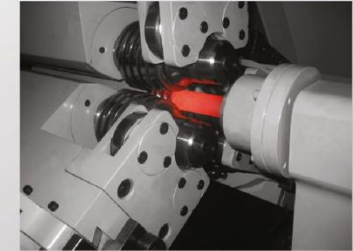
GOVAMA®

3R - 21 TRC



SPECIAL MACHINES

Special design for manufacturing railway bolts



2 Slide-bodies for through-feed spline forming

2HK - 25

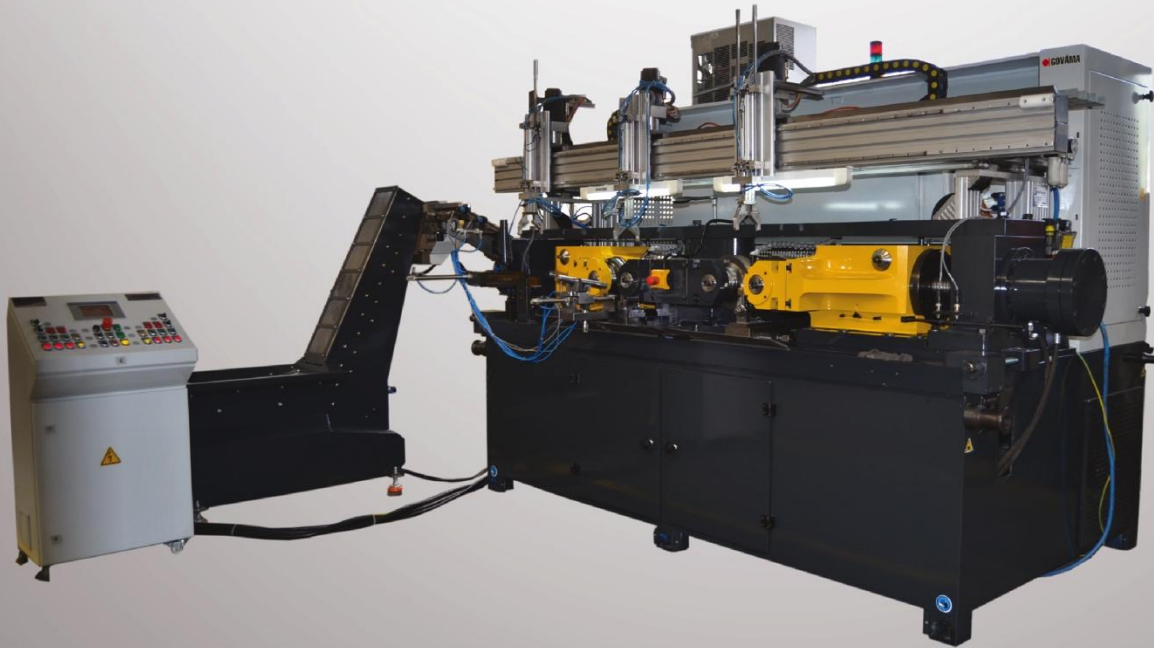


Gökçüoğlu®
1975

For your success...

ROT - 1

SPECIAL MACHINES



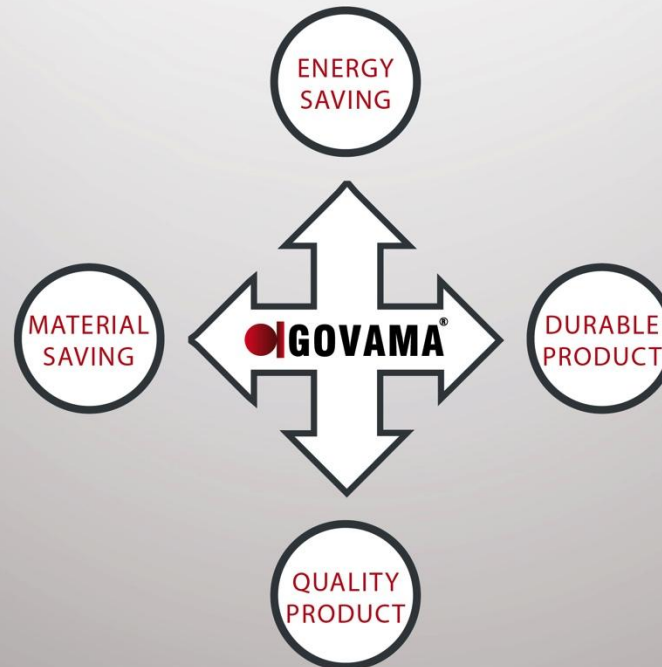
Gökçüoğlu®
1975

For your success...



As much as every threading can be done

Tie rod, lug bolt, threaded rods and ball joints can be manufactured.



Gökçüoğlu
1975

For your success...



Gökçüoğlu®
1975

For your success...



CONTACT

Adress : Estim Sanayi Bölgesi Metal İşleri 3.Cadde
No:86 (35477) Kısıkköy Menderes, İzmir - Turkey

Tel : +90 232 257 69 69 (PBX)

Fax : +90 0232 257 52 54

E-mail : info@gokcuoglu.com

Web : www.gokcuoglu.com



GOVAMA®